

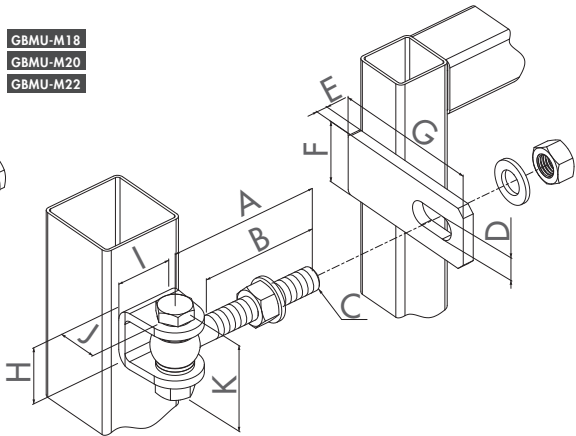
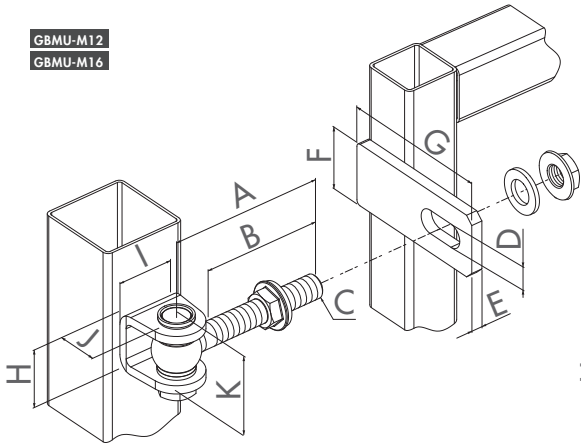
GBMU-M12

GBMU-M16

GBMU-M18

GBMU-M20

GBMU-M22



	A	B	C	D	E	F	G	H	I	J	K
<b>GBMU-M12</b>	90	70	M12	13	6	35	90	31	35	24	47
<b>GBMU-M16</b>	110	85	M16	17	8	45	110	42	40	30	60

	A	B	C	D	E	F	G	H	I	J	K
<b>GBMU-M18</b>	105	80	M18	19	8	50	120	42	40	30	70
<b>GBMU-M20</b>	130	105	M20	21	12	60	130	51	60	35	87
<b>GBMU-M22</b>	145	115	M22	23	12	60	130	51	60	35	88